



LED Highbay CONCORD

DESCRIPTION

The LED Highbay Concord V4 & DALI Concord are industrial pendant luminaire which can be used as a basic light in warehouses, halls and production areas with a height of 4 to 14 meters. The Concord V4 and DALI Concord has an efficiency up to 170lm/w, with a minimum of 50% energy savings when replacing 520W HPL / HID / HPI / HQL luminaires.

Thanks to the IP65 and IK08 classifications, both Concord V4 and DALI Concord is splash- and dust- resistant, which makes maintenance unrequired even in the most demanding environments. A 0-10V dimming function can be used to control the luminous intensity, which helps yield energy savings of up to 90%. Integrating the luminous in the building management system is also possible, with low maintenance and replacement costs.



APPLICATIONS



Industry



Warehouse



Station



Supermarket



Airport

OPTIONAL

- Microwave Sensor(Concord V4)
- Bracket Holder
- PC Lens
- PC Diffuser



SPECIFICATION

Item No.	EAN	Item Description	Power (W)	Lumen (LM)	Input Current (mA)
249174	8719157049924	LED Highbay Concord IP65 V4.0 100/120/150/200W 3CCT(4000/5200/6500K) 90° 0-10V with openhook	100/120/150/200	17000/20400/24750/33000@4000K	900mA@230Vac
				17500/21000/25500/34000@5200K	
				17000/20400/24750/33000@6500K	
249175	8719157049931	LED Highbay Concord IP65 V4.0 100/120/150/200W 3CCT(4000/5200/6500K) 120° 0-10V with openhook	100/120/150/200	17000/20400/24750/33000@4000K	900mA@230Vac
				17500/21000/25500/34000@5200K	
				17000/20400/24750/33000@6500K	
249641	8719157051446	LED Highbay DALI Concord IP65 200W 4000K 90° 0-10V DIM Black	200	34000	915mA@230Vac

SPECIFICATION

Item No.	EAN	Item Description	Efficacy (lm/W)	CCT (K)	CRI	Equivalent (W)
249174	8719157049924	LED Highbay Concord IP65 V4.0 100/120/150/200W 3CCT(4000/5200/6500K) 90° 0-10V with openhook	170/170/165/165@4000K	4000	80	520
			175/175/170/170@5200K	5200		
			170/170/165/165@6500K	6500		
249175	8719157049931	LED Highbay Concord IP65 V4.0 100/120/150/200W 3CCT(4000/5200/6500K) 120° 0-10V with openhook	170/170/165/165@4000K	4000	80	520
			175/175/170/170@5200K	5200		
			170/170/165/165@6500K	6500		
249641	8719157051446	LED Highbay DALI Concord IP65 200W 4000K 90° 0-10V DIM Black	170	4000	80	520

ACCESSORIES

Item No.	EAN	Item Description	
249366	8719157050203	Noxion LED Highbay PC diffuser with Cover (For Ø297mm Concord V4, Ecowhite V2)	
249367	8719157050210	Noxion LED Highbay 60° Circular PC Lens (For Ø297mm Dali Concord, Concord V4, Ecowhite V2)	
249644	8719157051453	Noxion LED Highbay 120° Circular PC Lens (For Ø297mm Dali Concord, Concord V4, Ecowhite V2)	
249368	8719157050227	Noxion LED Highbay Concord V4, Ecowhite V2 Bracket Holder	
249369	8719157050234	Noxion Remote Controller for Highbay Concord V4, Ecowhite V2 Microwave Sensor	*Concord V4 Only
249370	8719157050241	Noxion Highbay Concord V4, Ecowhite V2 Microwave Sensor	*Concord V4 Only



SPECIFICATION

Technical Specifications	
Dimmable	Yes
Beam Angle	Concord V4:90°/120° ; DALI:90°
IP	IP65
IK	IK08
Protection Class	Class I
Integrated Driver (Yes/No)	Yes
Glow Wire Test	650°C
Electrical Supply	
Frequency (Hz)	50/60Hz
Voltage (V)	220-240V~
AC/DC	AC
Power Factor (PF)	≥0.9
Displacement Factor (DF)	≥0.9

Mechanical Properties	
Housing Material	ADC12
Color (Housing)	Black
Optic	PC
Reflector	Aluminum
Application	
Operating Temperature	-30°C~+50°C
Storage Temperature	-30°C~+70°C
Lifespan L70B50	Concord V4:140,000hrs; DALI:100,000hrs
Certifications	
Fixture Certifications	CE, ENEC, RoHS

PACKAGING INFORMATION

Item No.	EAN	Item Description	Masterbox		
			Units per Masterbox	Dimension (mm) (LxWxH)	Weight (kg)
249174	8719157049924	LED Highbay Concord IP65 V4.0 100/120/150/200W 3CCT(4000/5200/6500K) 90° 0-10V with openhook	1PC	335*335*155	2.77
249175	8719157049931	LED Highbay Concord IP65 V4.0 100/120/150/200W 3CCT(4000/5200/6500K) 120° 0-10V with openhook	1PC	335*335*155	2.77
249641	8719157051446	LED Highbay DALI Concord IP65 200W 4000K 90° 0-10V DIM Black	1PC	335*335*155	3.04

SPECIFICATIONS DRIVER

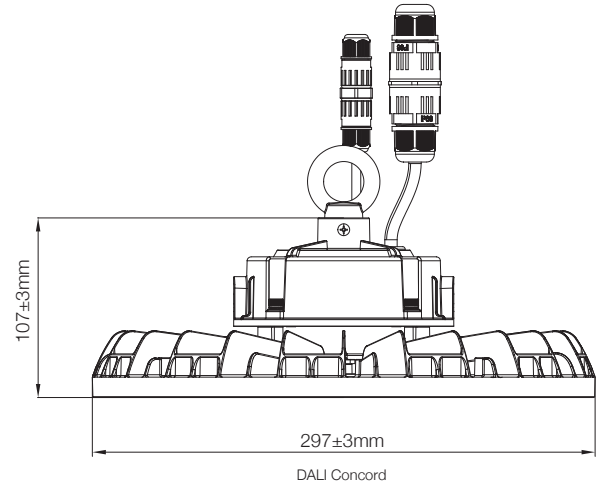
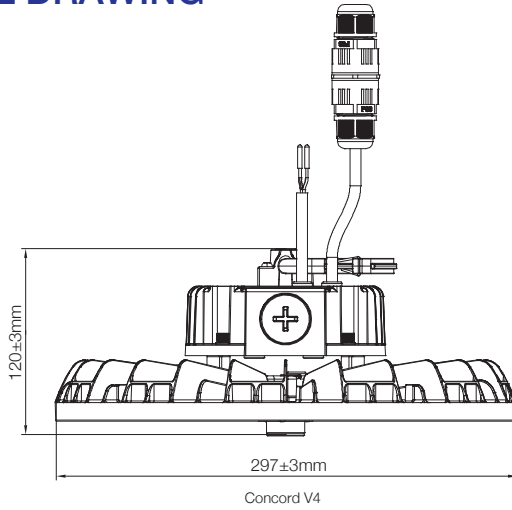
Inrush Current			Remarks
Item	Concord V4	DALI Concord	
Inrush current I_{inrush} (A)	70A	80.5A	Input voltage 230V
Inrush current T_{inrush} (μ s)	350 μ s	316 μ s	Input Voltage 230V measured at 50% I_{inrush}

CIRCUIT BREAKER

Item	Concord V4	DALI Concord
B16	6PCS	5PCS
C16	10PCS	8PCS

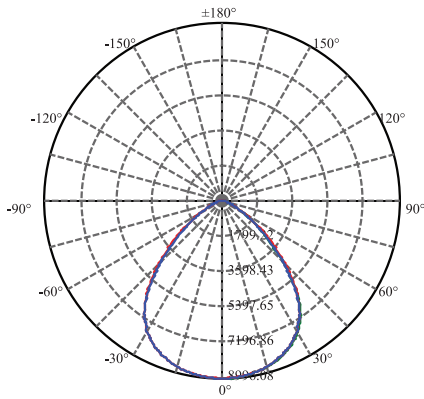
DIMENSIONAL DRAWING

*Dimensions in mm

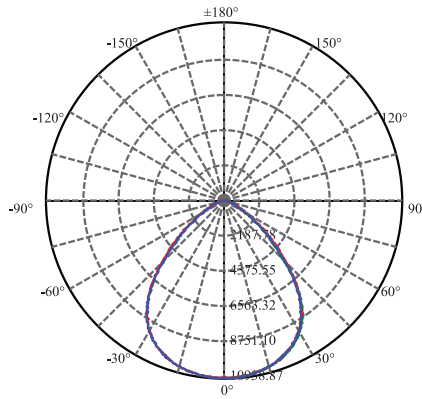


PHOTOMETRIC SPECIFICATIONS

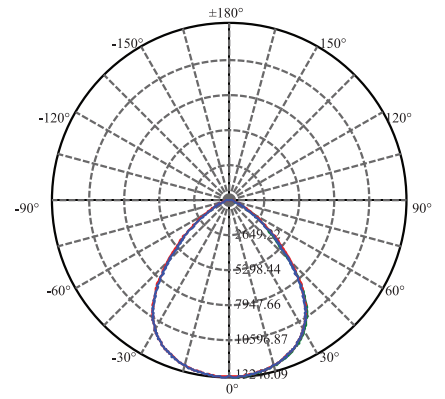
8719157049924 100W



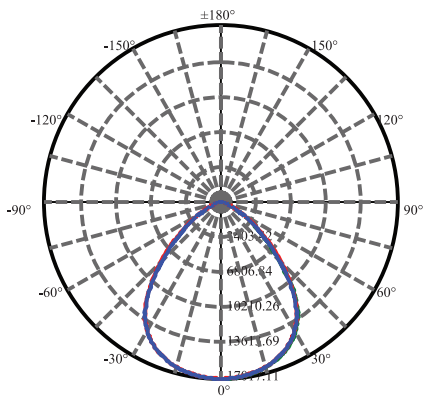
8719157049924 120W



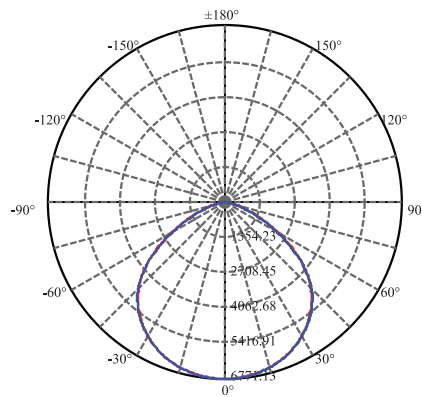
8719157049924 150W



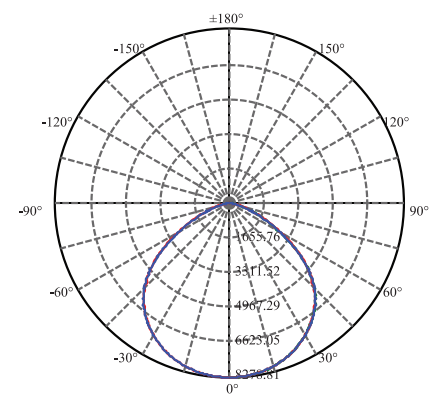
8719157049924 200W



8719157049931 100W

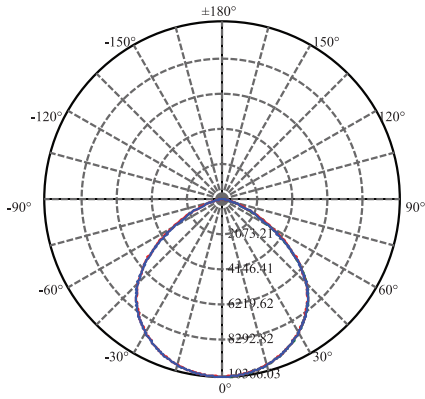


8719157049931 120W

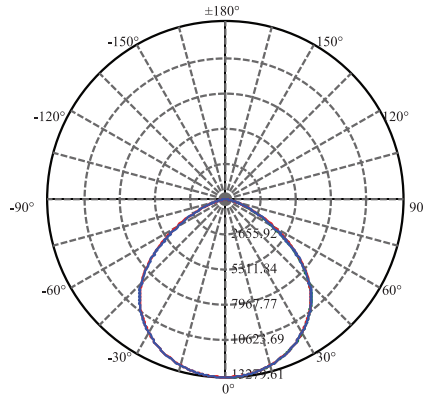


PHOTOMETRIC SPECIFICATIONS

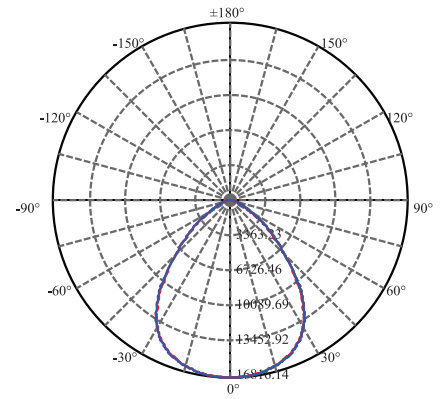
8719157049931 150W



8719157049931 200W



8719157051446



NOXION

© 2024 Noxion B.V. - All rights reserved. Noxion retains the right to modify product specifications without any prior notice or obligation and does not assume any liability for any consequences of using this document. Subject to errors and printing errors.